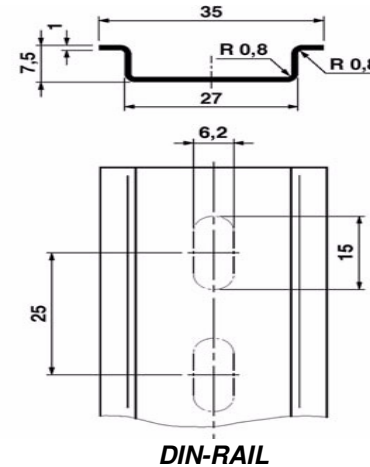
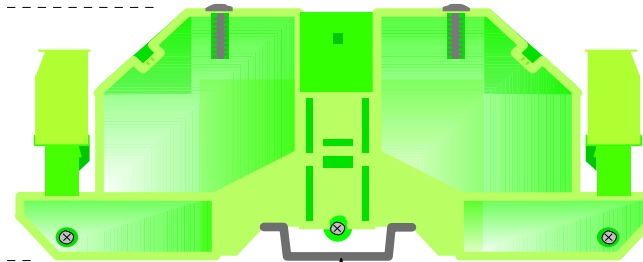
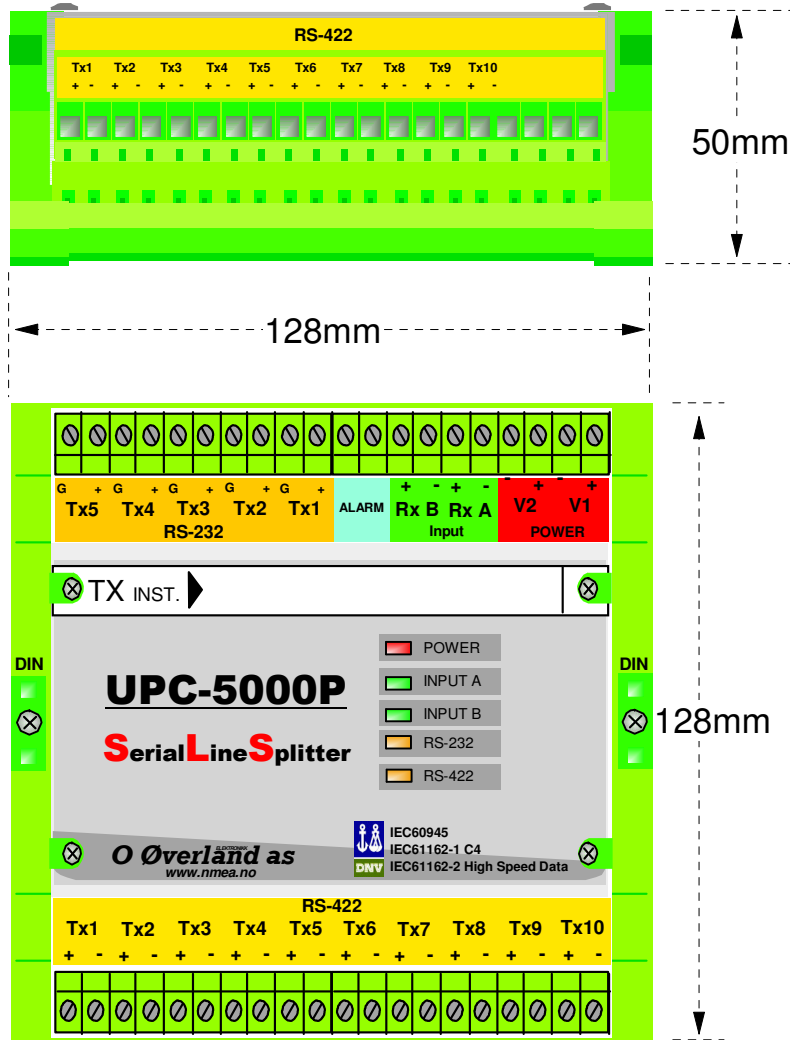


UPC-5000P

Input: RS-232, RS-422, NMEA0183.



UPC 5000P Specifications:

UPC 5000P is a serial line splitter with two separate inputs and fifteen outputs. Dual power input with autoswitch.

The two inputs A and B are separated with A as the primary input. If there is data on both A and B inputs, input A is used. Input B is used only if input A is idle.

The powersupply and both signal inputs are galvanic isolated from the outputs.

Specifications:

Powersupply main: 15-30Vdc 2W
Powersupply sec: 15-30Vdc 2W
Input A: 1-20V, 0,5mA min, max. 2Mbps

Input B: 1-20V, 0,5mA min, max. 2Mbps
Outputs: 10 off RS-422, 50mA max, 5 off RS-232.

For Current Loop input. 100 ohm parallel
All outputs are Short Circuit Protected
Module-box with DIN-rail mounting
Dimensions in mm: L-128 x H-50 x W-128

O.Øverland ELECTRONICS

P.O.Box1098 N6403 MOLDE NORWAY
TEL.+47 71 20 24 00 FAX.+47 71 25 12 14
www.overland.no post@overland.no