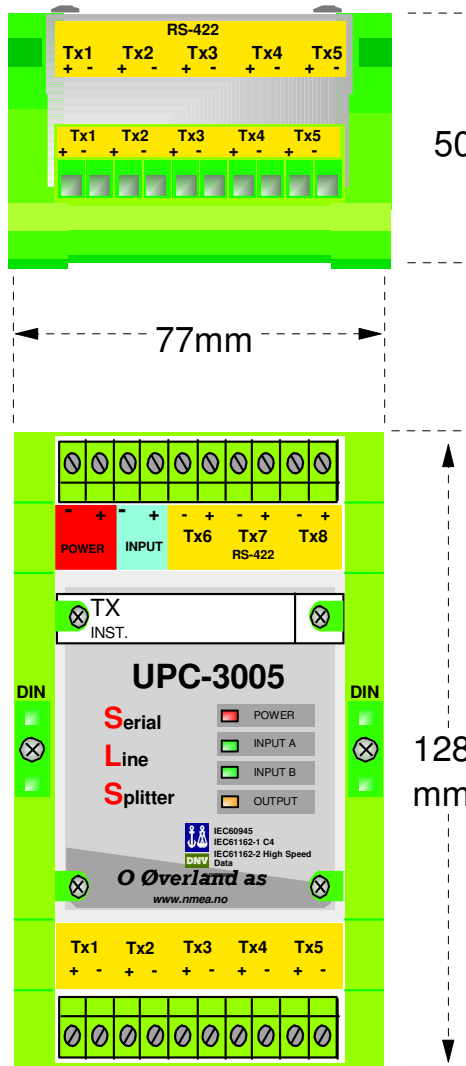


# UPC-3005 SLS

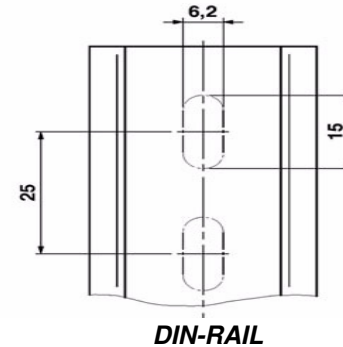
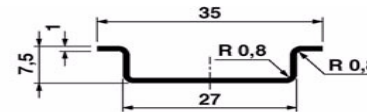
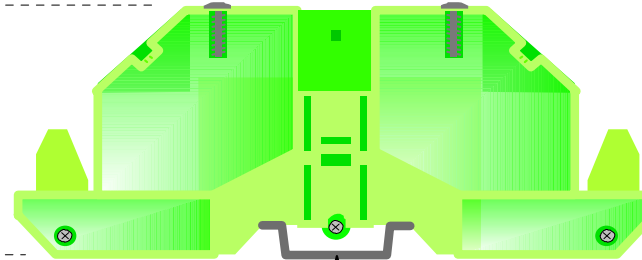
Input: RS-232, RS-422, NMEA0183.



50mm

77mm

128 mm



## UPC3005-SLS Specifications:

The powersupply and input are galvanic isolated from the outputs.

## Specifications:

Powersupply main: 15-30Vdc 2W

Powersupply sec: 15-30Vdc 2W

Input A: 1-20V, 0,5mA min, speed 1Mbps.

Outputs: 5 off RS-422, 50mA max, 3 off RS-232.

All outputs are Short Circuit Protected

Module-box with DIN-rail mounting

Dimensions in mm: L-77 x H-50 x W-128

**O.Overland** ELECTRONICS

P.O.Box1098 N6403 MOLDE NORWAY  
TEL.+47 71 20 24 00 FAX.+47 71 25 12 14  
www.overland.no post@overland.no