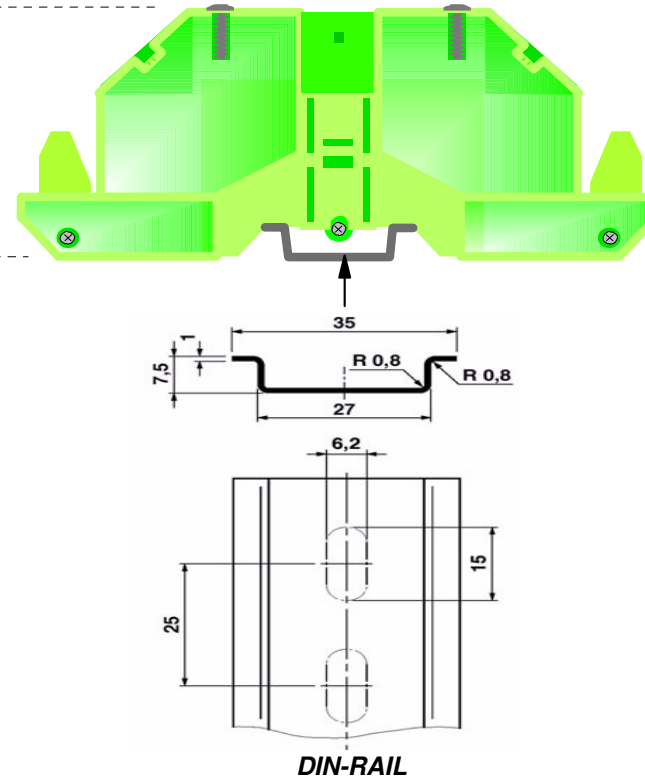
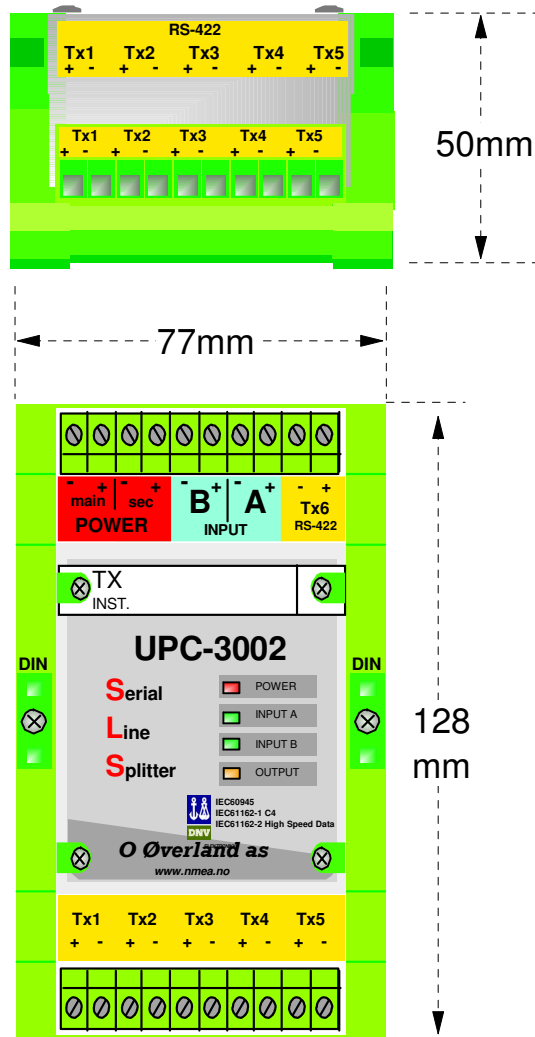


UPC-3002 SLS

Input: RS-232, RS-422, NMEA0183.



UPC3002-SLS Specifications:

UPC3002-SLS is a serial line splitter with two separate inputs and six outputs. Dual power input with autoswitch.

The two inputs A and B are separated with A as the primary input. If there is data on both A and B inputs, input A is used. Input B is used only if input A is idle.

The powersupply and both inputs are galvanic isolated from the outputs

Specifications:

Powersupply main: 15-30Vdc 2W
 Powersupply sec: 15-30Vdc 2W
 Input A,B: 1-20V, 0,5mA min, speed 1Mbps.
 Outputs 1-6: RS-422, 50mA max, Short Circuit Protected

Module-box with DIN-rail mounting
 Dimensions in mm: L-77 x H-50 x W-128

O.Overland ELECTRONICS

P.O.Box1098 N6403 MOLDE NORWAY
 TEL.+47 71 20 24 00 FAX.+47 71 25 12 14
 www.overland.no post@overland.no